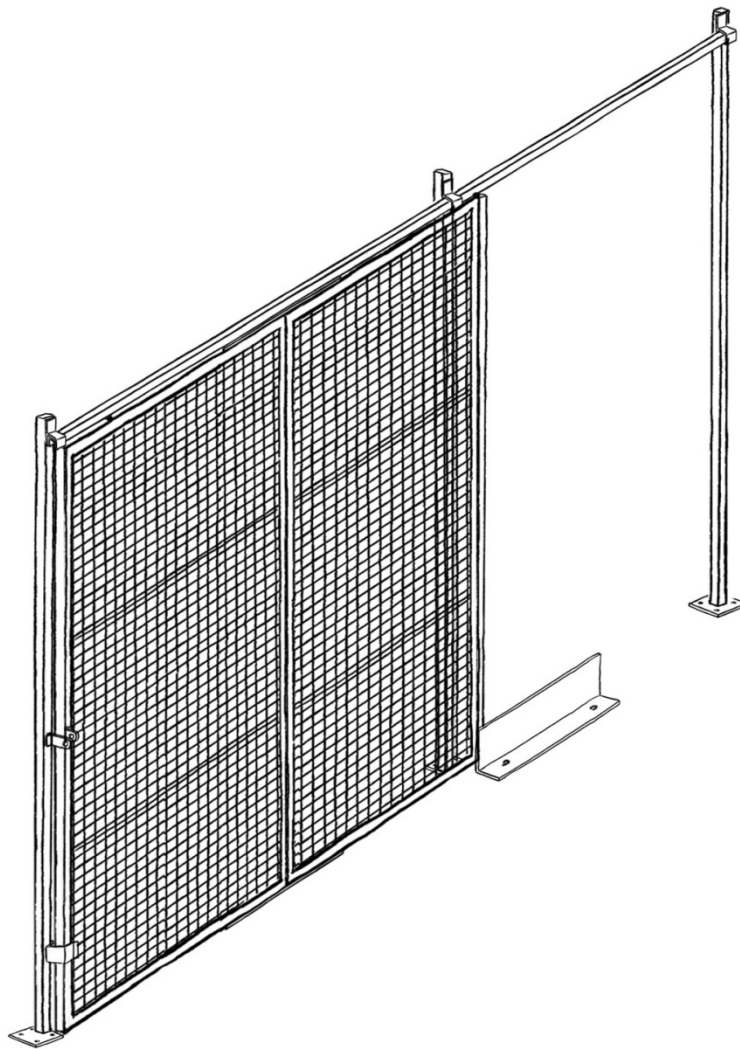


INSTALLATION MANUAL

For the most current release of this manual,
please visit our website at cogan.com

V.2013.2



Product	Safegarde® Partition Gate
Sub-product	Single large sliding gate

- Equipped with a padlock hasp.
- Instructions and size chart for the assembly of all the standard oversized sliding gate.
- Fully-suspended design using a galvanized upper track bolted to the partition posts.
- Floor guide to be anchored to the concrete slab.

© 2013 Cogan Wire and Metal Products Ltd., all rights reserved.




A Tradition of Quality Since 1901


cogan.com

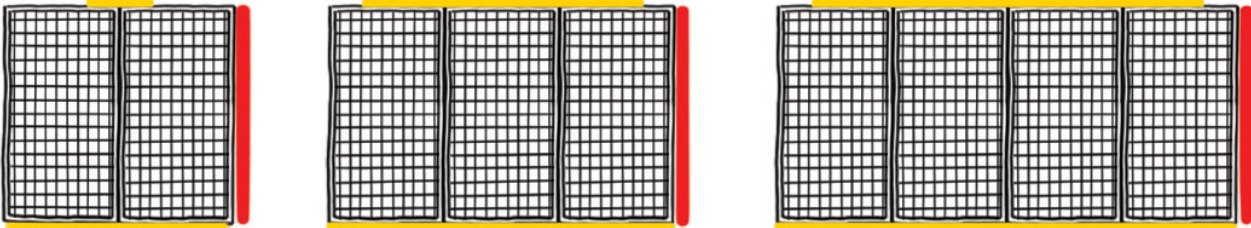
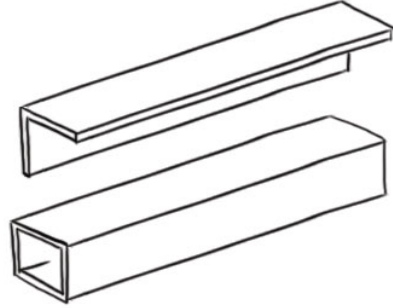
LARGE SLIDING & BI-PARTING SLIDING GATE PANELING CHART

Please refer to the thumbnails below for the assembly of your gate.

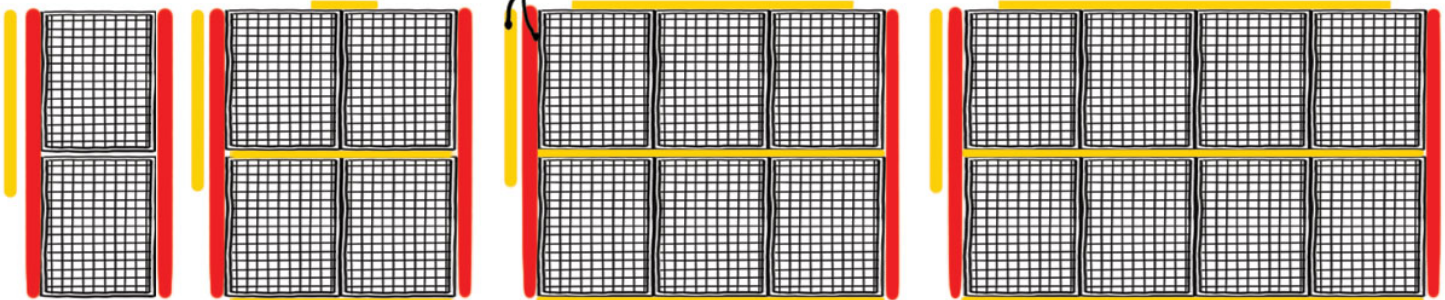
- For standard padlock hasp, a tubing is bolted on the opening side.
- When a cylinder lock is installed, an angle is bolted on the opening side. Note that the angle is shorter than the gate height, install the angle as per installation drawings provided with your project.

 1 1/4" x 1 1/4" structural angle

 1 1/2" x 1 1/2" tube

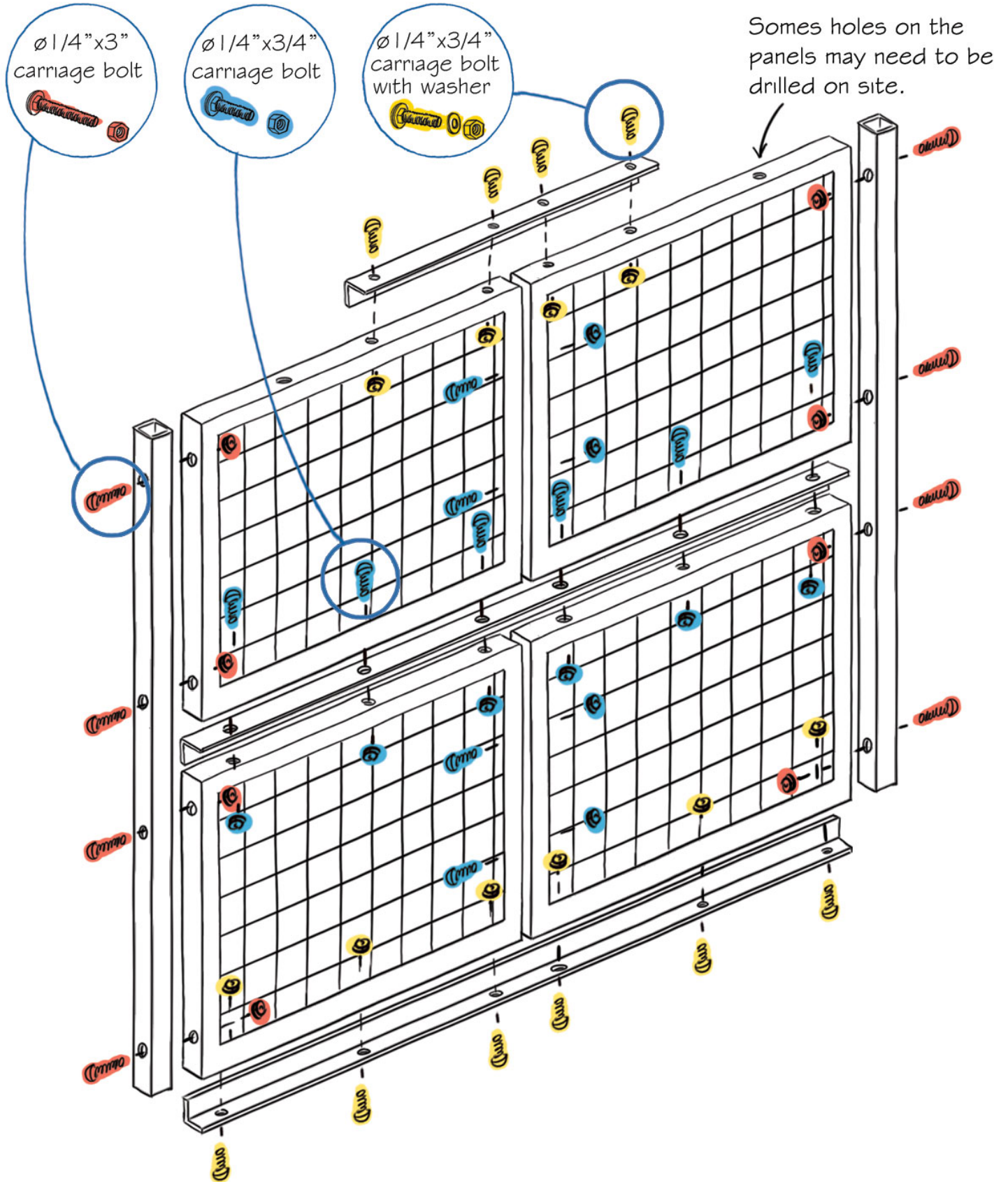


Angle or tube (refer to installation drawings for lock detail)



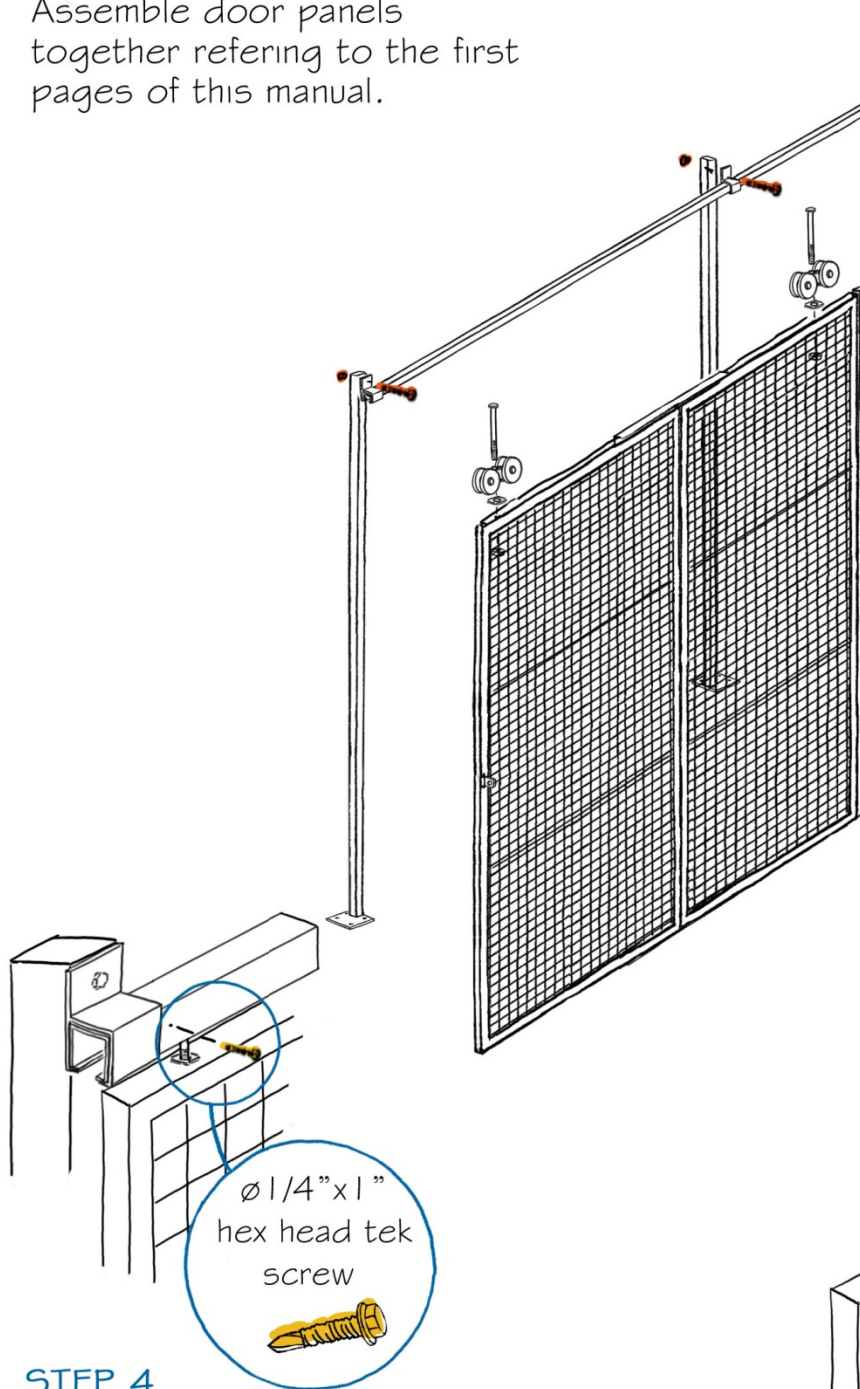
TYPICAL CONNECTION / ASSEMBLY DETAIL

Please refer to the illustrations below for the assembly of your gate and the proper hardware to use for each connection.



STEP 1 DOOR ASSEMBLY

Assemble door panels together referring to the first pages of this manual.



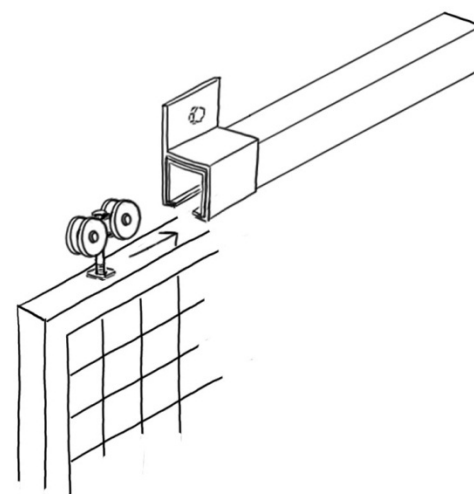
STEP 4 SECURE TROLLEY

Once the trolleys are inside track, slide the door to fully clear the opening. Put a tek screw just beside the last wheel to prevent the door from sliding out of the track. Do the same on the other end by closing the opening and lean against the door stopper. Put a tek screw just beside the first wheel.

Ø 1/4" x 3"
carriage bolt

STEP 2 BRACKETS AND TRACKS

Slide the brackets into tracks by making sure tracks arrives flush with the outside edge of the end brackets on each extremities. Two adjoining tracks are centered within a central bracket. Then drill the posts and bolt the brackets to each post using 3" carriage bolts.

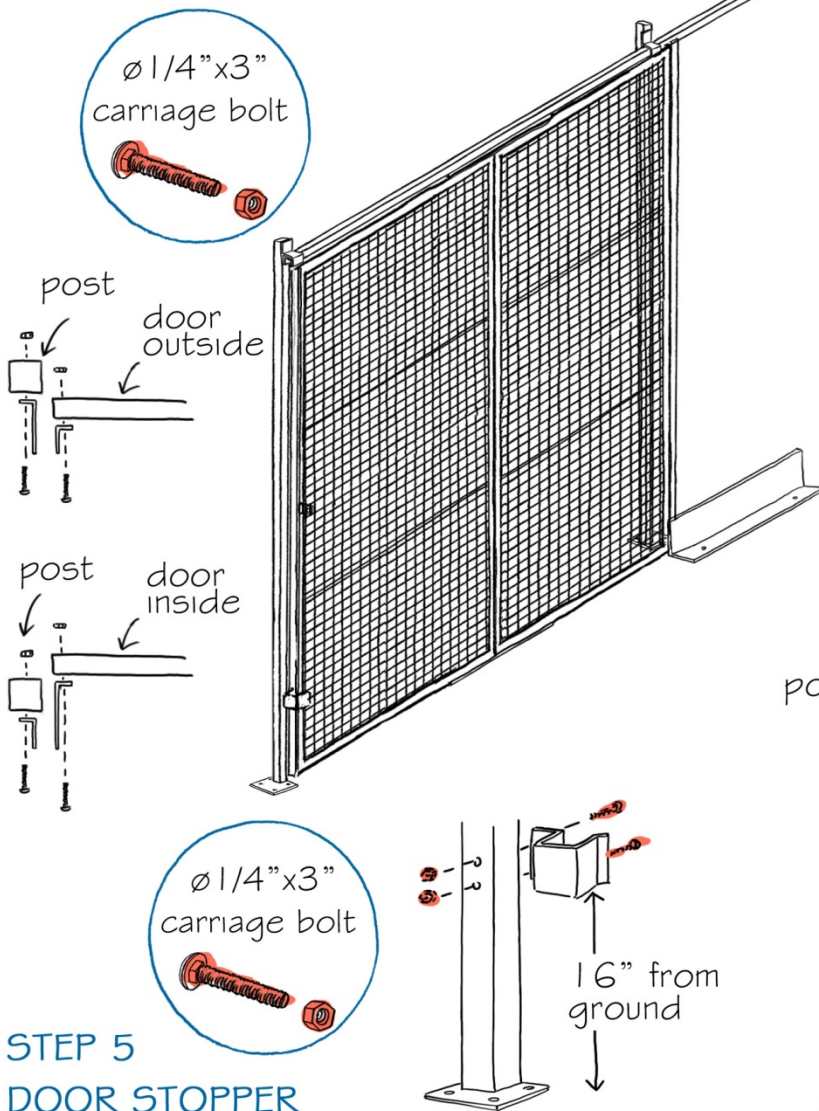


STEP 3 INSTALL TROLLEY

Install trolley assembly into predrilled holes on top of the door frame. Leave a 1" clearance between the top of door and bottom of wheels. Slide the assembled door into track.

STEP 7 HASPS

Install the hasps using carriage bolts. Drill $\varnothing 5/16$ " hole on both post and door frame. Both hasps should be different in length



STEP 5 DOOR STOPPER

Bolt the stopper centered on the side of the post where the door closes.

STEP 8 CYLINDER LOCKS

Install the lock strike on the post

Quick Tip: Insert the lock strike on door and slowly close the door to see where it arrives. Then drill and bolt in place.



STEP 6 FLOOR GUIDE

Install guide 2" from the post where the door opens.

Use $\varnothing 3/8$ " x 2 3/4" anchors
Hammer drill a hole with the same nominal diameter and at least as deep as the length of the anchor.

