



IMPORTANT NOTES

- The client and/or owner shall be responsible for all quantities and dimensions including the verification of, and coordination with field conditions.
- The client and/or owner shall verify all critical dimensions and conditions of existing construction that relate to this project prior to manufacturing.
- Cogan must be notified in writing of any elements found to be inconsistent or not compatible with the details indicated by these preliminary approval drawings.
- The client and/or owner must submit signed (approved) drawings prior to the start of production.
- The client and/or owner shall be responsible for the building classification on all construction and warrant that all construction shall be governed by the latest edition of the state building code (including any revisions or addendas) and/or with any other applicable code or requirements of all authorities having jurisdiction.
- Cogan reserves the right to adjust column sizes after approval stage to meet the required needs as final calculations will be executed before the project is produced.
- Verify all dimensions and details carefully.
- For installation support, please call Cogan at 1-800-567-2642.
- Press 1 (for material handling) then press 4 (installation support).
- Or press 0 to speak with an operator and ask for "installation support".

LEAD TIMES & SHIPPING

- Please allow up to 24 hours turnaround time for all QuickShip quote requests.
- Ship dates are set only after the receipt of your signed approval drawings. Please indicate your requested ship date when submitting your signed approval drawings.

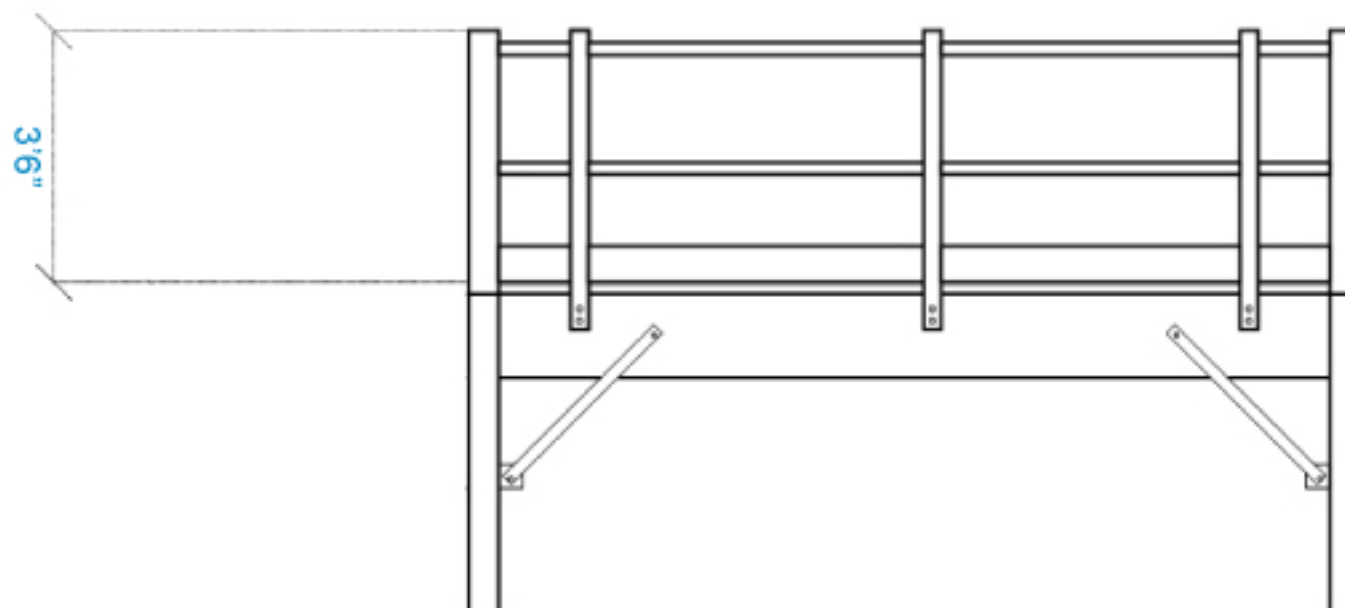
DIMENSIONS AND DETAILS

MATERIAL FINISHES

- All components, including flooring, are powder coat grey (■) **except:**
 - Handrails, kickplate and treads are galvanized (■)
 - Gates and ladders are powder coat safety yellow (■)

IMPORTANT

- The capacity of the slab and/or foundation must be verified by the client and/or the owner.
- Mezzanines are designed in accordance with the AISC and/or CISC standards.
- All structural connections use ASTM A325 bolts.



Front Elevation View