

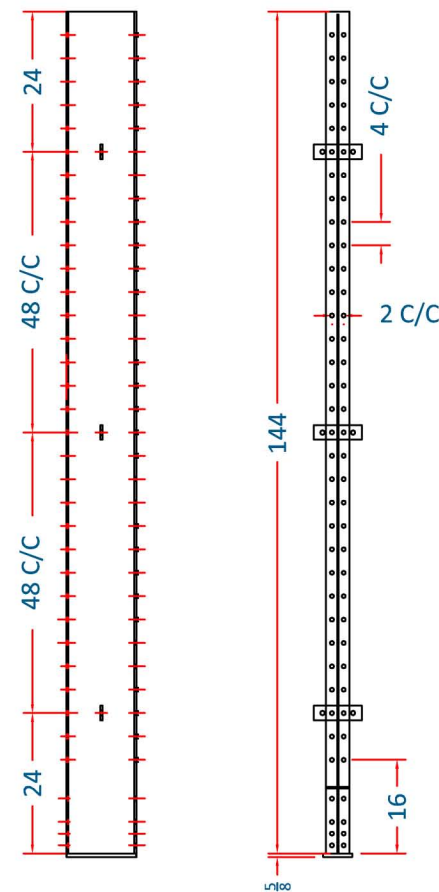
QuickShip Approval Plan

IMPORTANT NOTES

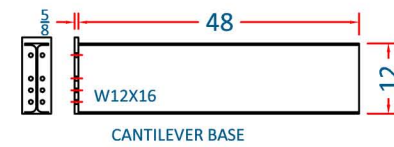
- The client and/or owner shall be responsible for all quantities and dimensions including the verification of, and coordination with field conditions.
- The client and/or owner shall verify all critical dimensions and conditions of existing construction that relate to this project prior to manufacturing.
- Cogan must be notified in writing of any elements found to be inconsistent or not compatible with the details indicated by these approval drawings.
- The client and/or owner shall be responsible for the building classification on all construction and warrant that all construction shall be governed by the latest edition of the state building code (including any revisions or addendas) and/or with any other applicable code or requirements of all authorities having jurisdiction.
- Verify all dimensions and details carefully.
- For installation support, please call Cogan at 1-800-567-2642.
- Press 1 (for material handling) then press 4 (installation support).
- Or press 0 to speak with an operator and ask for "installation support".

LEAD TIMES & SHIPPING

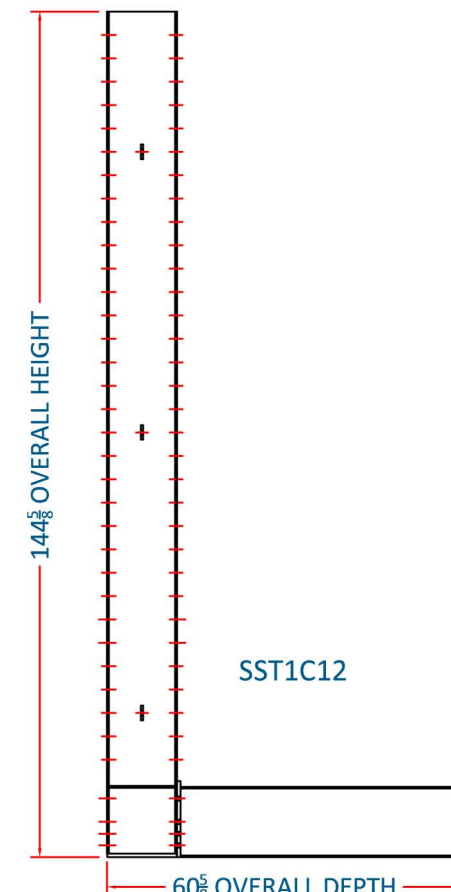
- Dollar Limit for QuickShip orders is \$5,000.
- Please allow up to 24 hours turnaround time for all QuickShip quote requests.
- Ship dates are set only after the receipt of your Official Purchase Order. Please indicate your requested ship date when submitting your Official Purchase Order.



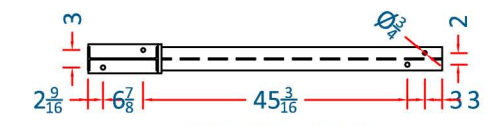
(W12x16)
12'-0" HIGH SINGLE-SIDED COLUMN
WITH A CAPACITY TO SUPPORT UP TO
8,000-LBS PER SIDE



CANTILEVER BASE

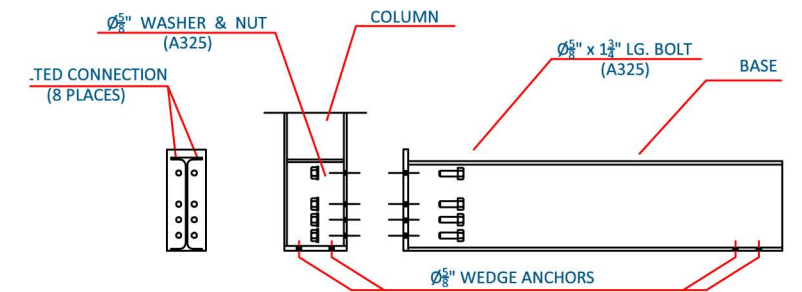


SST1C12



ANCHOR PLAN

TYP. BASE / COLUMN CONNECTION



INSTALLATION NOTES:

- ALL HOLES IN THE BASE TO TOWER CONNECTION MUST BE USED (8 BOLTS $\frac{5}{8}$ " x $1\frac{3}{4}$ " - ASTM A325)
- ALL HOLES IN THE COLUMN TO ARMS CONNECTIONS MUST BE USED (4 BOLTS $\frac{5}{8}$ " x $1\frac{3}{4}$ " - ASTM A325)
- ALL HOLES IN THE COLUMN TO X-BRACES CONNECTIONS MUST BE USED (5 BOLTS $\frac{5}{8}$ " x $1\frac{3}{4}$ " - ASTM A325)
- ALL COLUMNS MUST BE ERECTED IN A PLUMB CONDITION ON A CONCRET SLAB
- EACH COLUMN MUST BE SECURELY ANCHORED TO THE CONCRETE WITH 2 $\frac{5}{8}$ " WEDGE ANCHORS
- EACH BASE MUST BE SECURELY ANCHORED TO THE CONCRETE WITH 2 $\frac{5}{8}$ " WEDGE ANCHORS

WEDGE ANCHORS:

REQUIRE MINIMUM EMBEDMENT OF $4\frac{1}{2}$ ".