

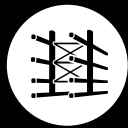


QuickShip

In Stock. Ready To Ship.
or Accelerated Delivery.



Mezzanines



Cantilever Racking



Guardrails



Partitions



Lockers



Cogan[®]
Since 1901



QuickShip

**In Stock. Ready To Ship.
or Accelerated Delivery.**

Cogan QuickShip is all about you – your needs, your budget, your timeline. No waiting. No delays. Cogan QuickShip is on time, all the time.



QuickShip
In Stock. Ready to Ship

HEAVY-DUTY GUARDRAILS

Item Description

A. Rails

- 2' Rail (19" exact length)
- 3' Rail (31" exact length)
- 4' Rail (43" exact length)
- 5' Rail (55" exact length)
- 6' Rail (67" exact length)
- 7' Rail (79" exact length)
- 8' Rail (91" exact length)
- 9' Rail (103" exact length)
- 10' Rail (115" exact length)

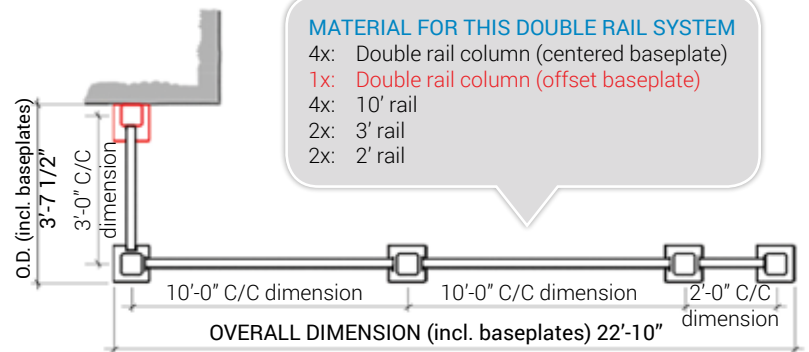
Item

- QS-GR2
- QS-GR3
- QS-GR4
- QS-GR5
- QS-GR6
- QS-GR7
- QS-GR8
- QS-GR9
- QS-GR10

B. Columns & Accessories

- Double Rail Column (centered baseplate)
- Double Rail Column (offset baseplate)
- Single Rail Column (centered baseplate)
- Single Rail Column (offset baseplate)
- Lift-Out Brackets (pair)
- 5/8" x 4 1/2" Floor Anchors (4x/pkg)

- QS-GPDC
- QS-GPDO
- QS-GPSC
- QS-GPSO
- QS-GL1
- QS-GFA5



SPECIFICATIONS

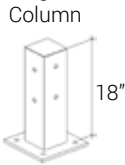
12-gauge steel / unassembled components

Absorbs impact of a 10,000 lb load at 4 mph. 12-gauge roll-formed steel, 12" high profile, 3/16" thick end plates punched with two $\varnothing 9/16$ " connection holes. 5" x 5" seam welded square columns welded to a 10" x 10" x 1/2" baseplate with $\varnothing 3/4$ " mounting holes. Black plastic post caps. Install with floor anchors (sold separately). **IN STOCK.**

Double Rail Column



Single Rail Column



Centered Baseplate



Offset Baseplate



Lift-out Bracket



Rail



FINISH

Powder-coated safety yellow



Rack Aisle Protectors

SPECIFICATIONS

Fits any upright width

Curved crescents fit around rack corners to protect from impact damage. 12"H x 3/8" steel crescent plate welded to 3" x 5" x 1/4" steel angle. $\varnothing 3/4$ " bolt holes accept floor anchors (sold separately). Available in single- or double-sided wrap around. **IN STOCK.**



FINISH

Powder-coated safety yellow



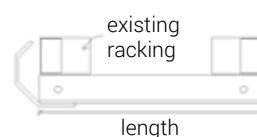
Item Description

- 24" Left Rack Aisle Protector
- 24" Right Rack Aisle Protector
- 42" Left Rack Aisle Protector
- 42" Right Rack Aisle Protector
- 54" Left Rack Aisle Protector
- 54" Right Rack Aisle Protector
- 48" Double-Sided Rack Aisle Protector
- 5/8" x 4 1/2" Floor Anchors (3x/pkg)

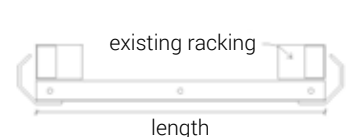
Item

- QS-RP24L
- QS-RP24R
- QS-RP42L
- QS-RP42R
- QS-RP54L
- QS-RP54R
- QS-RPD48
- QS-GFA3

Single-Sided Wrap Around



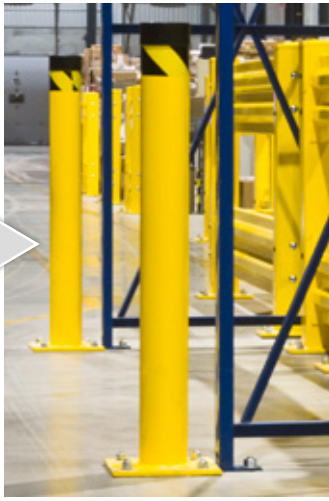
Double-Sided Wrap Around



Bollards

SPECIFICATIONS

1/8" thick steel tube
4 1/2" or 6" diameter
Sturdy welded base-plate is made of 1/2" thick steel plate. Includes ø3/4" bolt holes for floor anchors (sold separately). Black plastic top cap. **IN STOCK.**



Item Description

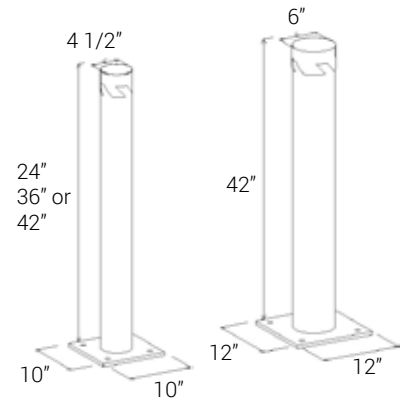
- 24" High Bollard (4 1/2" dia. + 10" x 10" baseplate)
- 36" High Bollard (4 1/2" dia. + 10" x 10" baseplate)
- 42" High Bollard (4 1/2" dia. + 10" x 10" baseplate)
- 42" High Bollard (6" dia. + 12" x 12" baseplate)
- 5/8" x 4 1/2" Floor Anchors (4x/pkg)

Item

- QS-B24
- QS-B36
- QS-B42
- QS-B642
- QS-GFA1

FINISH

Powder-coated safety yellow



Rack Post Protectors

SPECIFICATIONS

3/16" thick steel
Fits up to a 5"W upright
8 1/4"W x 6"D baseplate
ø5/8" bolt holes. Floor anchors sold separately. Easy installation. **IN STOCK.**



Item Description

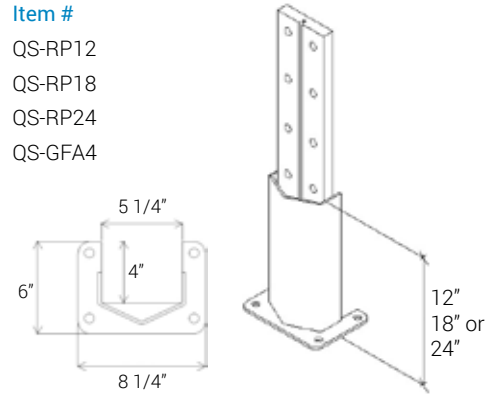
- 12"H Rack Post Protector
- 18"H Rack Post Protector
- 24"H Rack Post Protector
- 1/2" x 4 1/4" Floor Anchors (4x/pkg)

Item

- QS-RP12
- QS-RP18
- QS-RP24
- QS-GFA4

FINISH

Powder-coated safety yellow



QuickShip
In Stock. Ready to Ship

WIRE MESH RACK GUARDS

SPECIFICATIONS

All-welded angle frame
2" x 2" x 10GA welded wire mesh
Offset mounting brackets
Form a sturdy wall of protection between your workers and your inventory. Rigid and resilient, rack guards bolt directly to racking uprights, placing a barrier between stored materials and picking aisles below. **IN STOCK.**

FINISH

Powder-coated
Cogan grey



Bracket



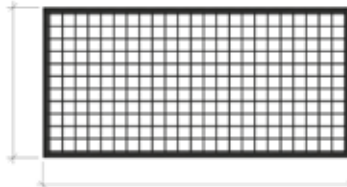
6", 8" or
12" offset

47"
or 59"

Plan View of Racking



94" panel for 96" rack beam
118" panel for 120" rack beam
142" panel for 144" rack beam



94", 118" or 142"

Item Description

A. Rack Guard Panels

- 8'W x 4'H QS-W84
- 8'W x 5'H QS-W85
- 10'W x 4'H QS-W104
- 10'W x 5'H QS-W105
- 12'W x 4'H QS-W124
- 12'W x 5'H QS-W125

B. Brackets (sold separately)

- 8" Bracket (for 6" offset) QS-CMBS06
- 10" Bracket (for 8" offset) QS-CMBS08
- 14" Bracket (for 12" offset) QS-CMBS12

* 4 brackets are required per panel.

ORIGINAL WIRE MESH PARTITIONS



SPECIFICATIONS

2" x 2" x 10GA welded wire mesh panels framed in 1 1/4" x 1/4" x 12GA structural angle with $\phi 1/2"$ reinforcement rods. 2" x 2" seam welded square tube posts welded to 6" x 6" baseplate / 4" sweep

Create secure and reliable work or storage space exactly where you need it. All-steel construction is wear-resistant and maintenance-free. Open wire mesh design allows air to circulate and light to penetrate fully. Modular nut-and-bolt assembly. Floor anchors sold separately. **IN STOCK.**



FINISH

Powder-coated Cogan grey



Item Description

Item

A. Panels

Standard Panel 2'W x 4'H (exact size 22"W x 47"H)	QS-P024
Standard Panel 3'W x 4'H (exact size 34"W x 47"H)	QS-P034
Standard Panel 4'W x 4'H (exact size 46"W x 47"H)	QS-P044
Standard Panel 5'W x 4'H (exact size 58"W x 47"H)	QS-P054
Standard Panel 6'W x 4'H (exact size 70"W x 47"H)	QS-P064
Standard Panel 8'W x 4'H (exact size 94"W x 47"H)	QS-P084
Standard Panel 10'W x 4'H (exact size 118"W x 47"H)	QS-P104
Adjustable Flex Panel (2" to 12" x 8'H)	QS-PPF1

B. Posts (8' high)

Original Partition Line Post	QS-PPL08
Original Partition Corner Post	QS-PPC08
Floor Anchors 3/8" x 2 3/4" (4x/pkg)	QS-FAEF11

Layout Example (Plan View)

Framed 2" x 2" x 10GA welded wire mesh

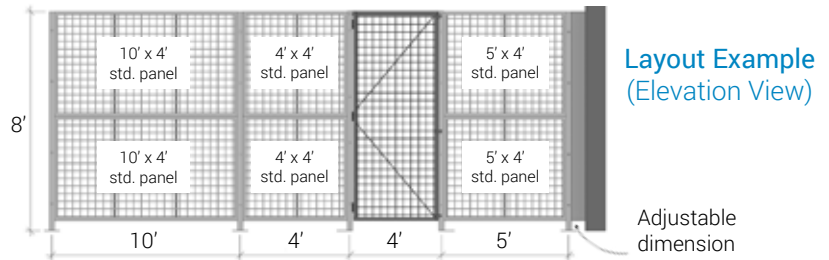
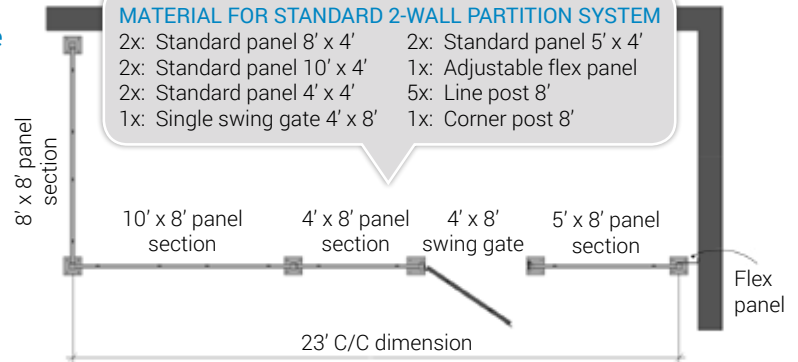


Std. panels are stacked to create 8'H sections:

- 1) 10' x 8' panel section =
- 2) 10' x 4' standard panels

MATERIAL FOR STANDARD 2-WALL PARTITION SYSTEM

- | | |
|-------------------------------|----------------------------|
| 2x: Standard panel 8' x 4' | 2x: Standard panel 5' x 4' |
| 2x: Standard panel 10' x 4' | 1x: Adjustable flex panel |
| 2x: Standard panel 4' x 4' | 5x: Line post 8' |
| 1x: Single swing gate 4' x 8' | 1x: Corner post 8' |



Gates

Item Description

Item

A. Single Swing Gates (C/C width)

Single Hinge Gate 3'W x 8'H	QS-P-D-SH-3x8
Single Hinge Gate 4'W x 8'H	QS-P-D-SH-4x8

B. Double Swing Gates (C/C width)

Bi-Parting Hinge Gate 6'W x 8'H	QS-P-D-BPH-6x8
Bi-Parting Hinge Gate 8'W x 8'H	QS-P-D-BPH-8x8

C. Sliding Gates (C/C width)

Single Slide Gate 3'W x 8'H	QS-P-D-SS-3x8
Single Slide Gate 4'W x 8'H	QS-P-D-SS-4x8
Single Slide Gate 5'W x 8'H	QS-P-D-SS-5x8
Single Slide Gate 6'W x 8'H	QS-P-D-SS-6x8
Single Slide Gate 8'W x 8'H	QS-P-D-SS-8x8
Single Slide Gate 10'W x 8'H	QS-P-D-SS-10x8

D. Dutch Gates (C/C width)

Dutch Gate 3'W x 8'H	QS-P-D-D-3x8
Dutch Gate 4'W x 8'H	QS-P-D-D-4x8

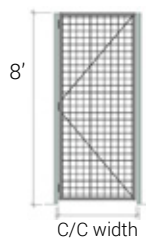
E. Lock Options

Cylinder Lock - Latch & Key for Swing & Dutch (keyed different)	QS-P-PLC002
Cylinder Lock - Latch & Key for Sliding Gates (keyed different)	QS-P-PLC006

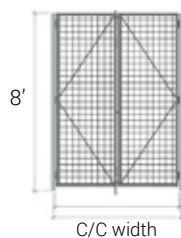
SPECIFICATIONS

Made of 2" x 2" x 10GA welded wire mesh framed in 1 1/4" x 1 1/4" x 12GA structural angle with two welded $\phi 1/2"$ reinforcement rods. Padlock hasp and hinges included. Track is included for sliding doors.

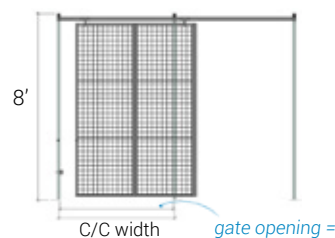
Single Swing Gate



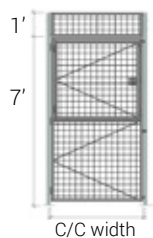
Double Swing Gate



Sliding Gate



Dutch Gate



Lock Options

Padlock Hasp



Standard padlock hasp (padlock by others). No charge. Included with all doors.

Cylinder Lock



Optional cylinder lock (latch & key). Additional charges apply.

SAFETY PIVOT GATES

SPECIFICATIONS

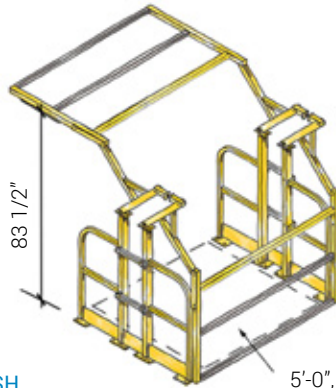
Consistent operating height of 83.5" / Special 4-point pivot system Easy and fast adjustability

Safety pivot gates are your safest bet for busy loading zones. Specially designed pivot arms allow the gate to be opened on one side while closed on the other, protecting your employees from dangerous fall accidents. Four point pivot system transfers vertical movement horizontally for easy manipulation in confined spaces. **IN STOCK.**

Item Description

Item

5'W x 5'D	QS-MG55
5'W x 6'D	QS-MG56
5'W x 7'D	QS-MG57
5'W x 8'D	QS-MG58
6'W x 5'D	QS-MG65
6'W x 6'D	QS-MG66
6'W x 7'D	QS-MG67
6'W x 8'D	QS-MG68
8'W x 5'D	QS-MG85
8'W x 6'D	QS-MG86
8'W x 7'D	QS-MG87
8'W x 8'D	QS-MG88
10'W x 5'D	QS-MG105
10'W x 6'D	QS-MG106
10'W x 7'D	QS-MG107
10'W x 8'D	QS-MG108

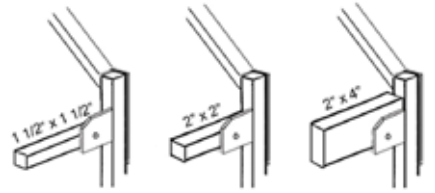


83 1/2"

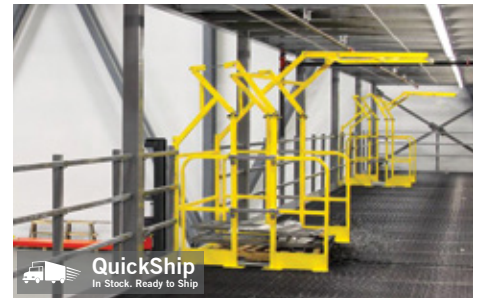
FINISH
Powder-coated
safety yellow



5'-0", 6'-0",
8'-0", 10'-0" wide
5'-0", 6'-0", 7'-0", 8'-0" deep
***drop area dimensions**



Gate width: 5' Gate width: 6' Gate width: 8'-10'



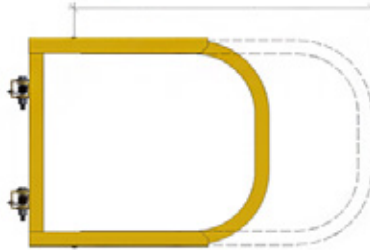
QuickShip
In Stock. Ready to Ship

Self-Closing Safety Gate

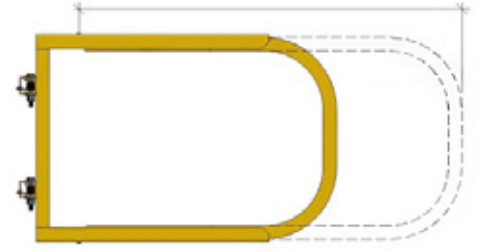
SPECIFICATIONS

Two adjustable sizes / Spring loaded hinges
Available in 24" - 36" W and 33" - 48" W. Punched adjustment holes are Ø7/16" and spaced 1" apart C/C. Spring loaded hinges mean the gate closes automatically, reducing the risk of unknowingly walking or backing into the opening. Compatible with Cogan mezzanines, heavy-duty guardrail and pedestrian barriers. **IN STOCK.**

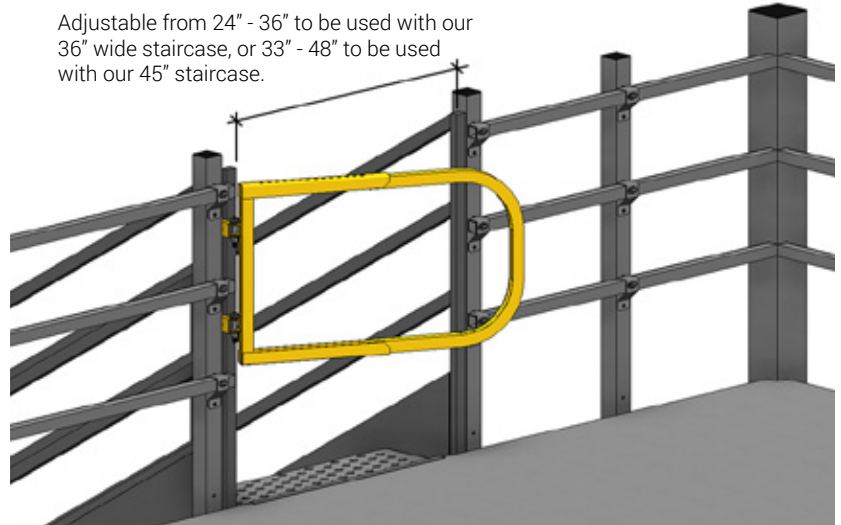
Adjustable Gate Length 24" - 36"



Adjustable Gate Length 33" - 48"



Adjustable from 24" - 36" to be used with our 36" wide staircase, or 33" - 48" to be used with our 45" staircase.



Item Description

Item

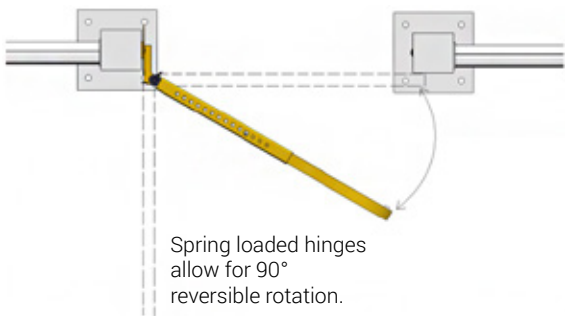
Self-Closing Safety Gate (adjustable from 24" - 36" W)	QS-G-SG-2436
Self-Closing Safety Gate (adjustable from 33" - 48" W)	QS-G-SG-3348

FINISH

Powder-coated safety yellow

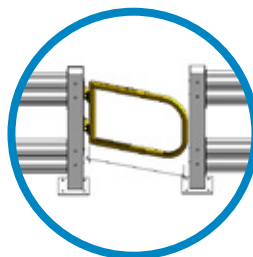


Plan View:

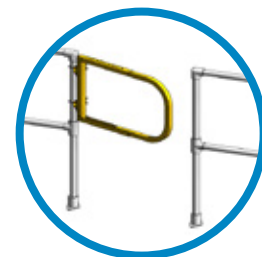


Spring loaded hinges allow for 90° reversible rotation.

Also compatible with:



Heavy-Duty Guardrail



Pedestrian Barriers

Standard Colors

Standard colors are applied to all products and are automatically included in the material price on your quote. Unless otherwise specified, all standard colors are powder-coated for a durable, long-lasting and maintenance-free paint finish.

Partitions



Cogan Grey

Gates



Safety Yellow

Guardrails



Safety Yellow



Cogan
Since 1901

Cogan Wire & Metal Products Ltd.

Phone (800) 567.2642

Fax (800) 633.3004

info@cogan.com

www.cogan.com