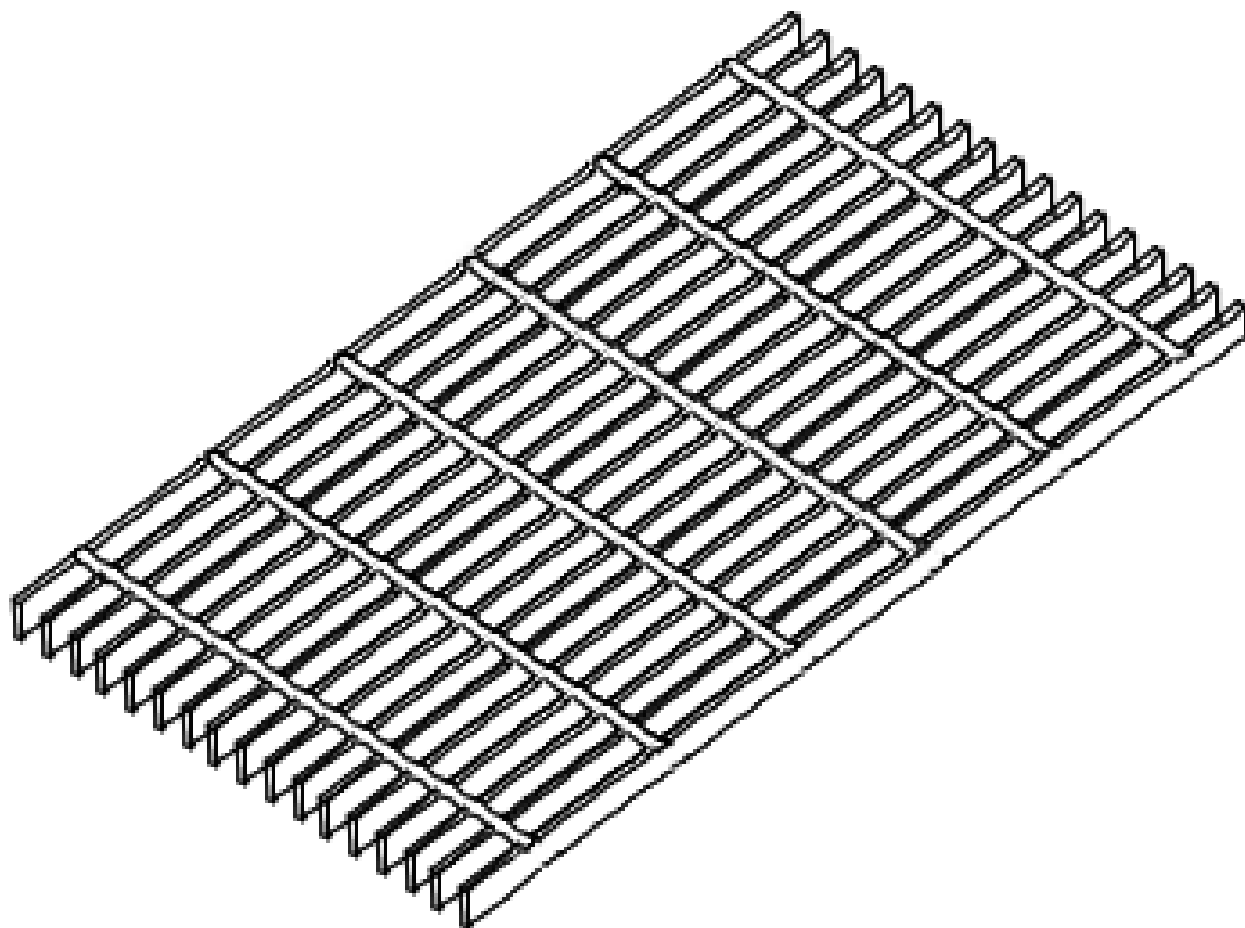


INSTALLATION MANUAL

For the most current release of this manual,
please visit our website at cogan.com

V.2015.1



| | |
|--------------------|------------------|
| Product | Mezzanine |
| Sub-product | Open Bar Grating |

- Step by step installation of open bar grating.
- Refer to installation drawings for orientation of flooring



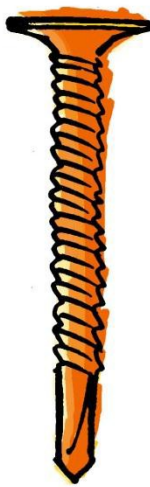
cogan.com



Ø1/4"x1" HEX
HEAD TEK SCREW



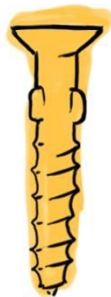
Ø1/4"x1 3/4" HEX
HEAD TEK SCREW



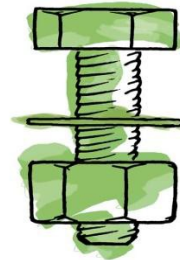
Ø1/4"x4" FLAT
HEAD TEK SCREW



Ø1/4"x2" FLAT
HEAD TEK SCREW



RESIN DECK APPROVED
WOOD SCREW

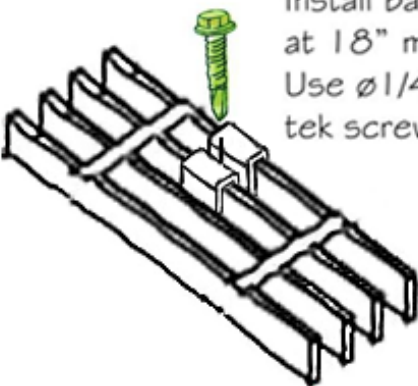


Ø5/16"x1" BOLT

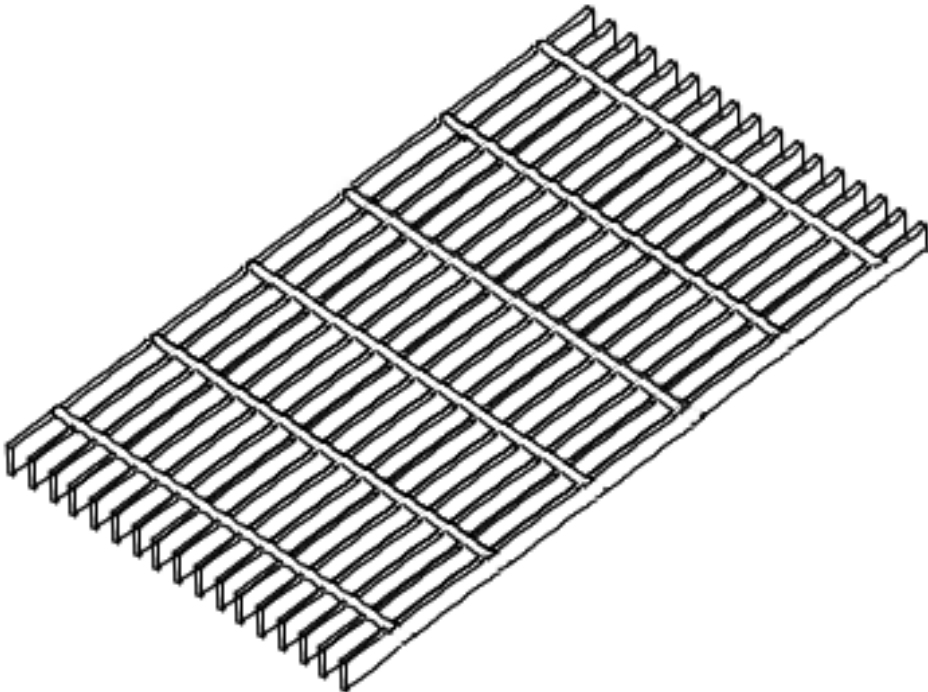
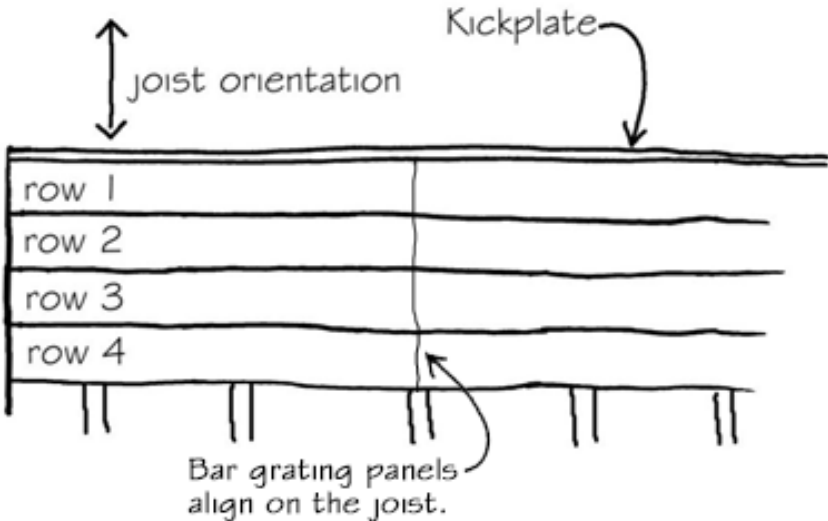
FLOORING (BAR GRATING)



Install bar grating panels starting with row 1. The bar grating panel length is indicated on your installation drawing plan. Lay the panels side by side.



Install bar clips on all joists at 18" max. distance. Use $\phi 1/4" \times 1 3/4"$ hex head tek screw



WALL BRACKET

