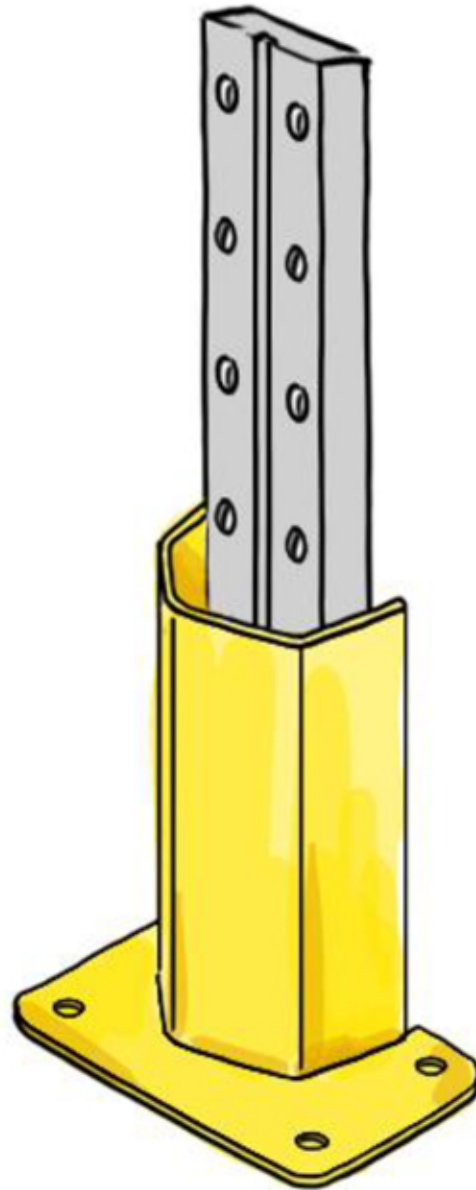
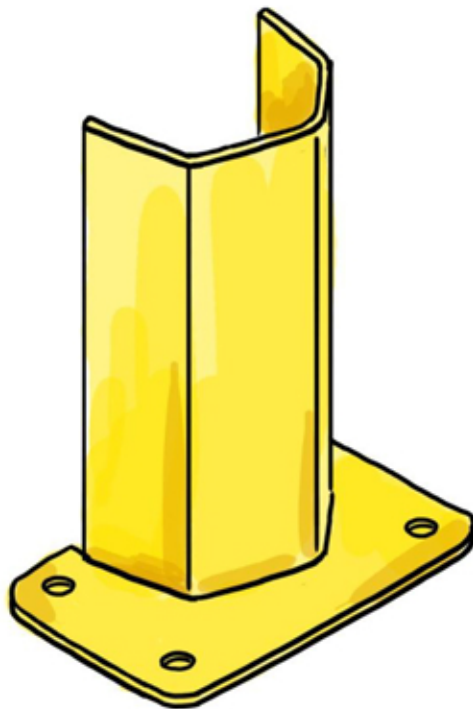


INSTALLATION MANUAL

For the most current release of this manual,
please visit our website at cogan.com

V.2013.2



Product	Rack Protection
Sub-product	Rack post protector

- Easy to install light duty rack post protectors.
- 3 different height are available.
- Installs in front and around racking uprights.



A Tradition of Quality Since 1901

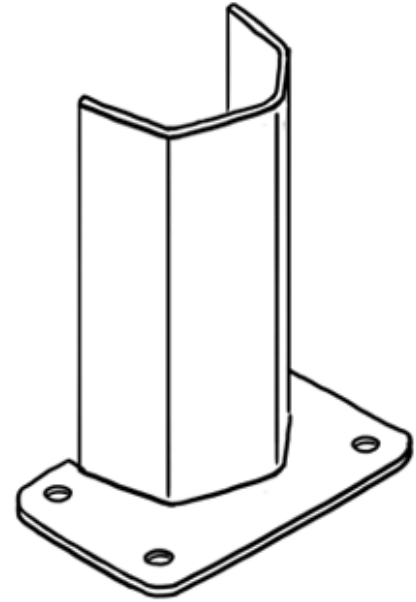
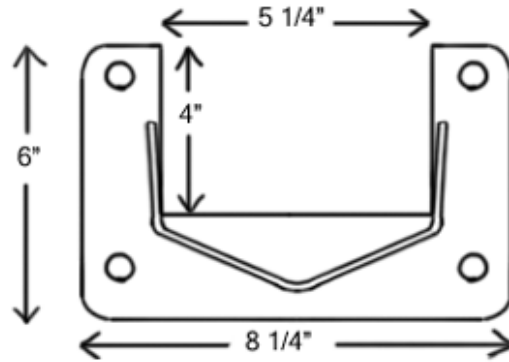
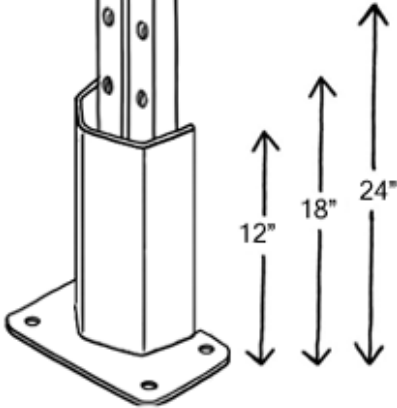
cogan.com

ANCHORING

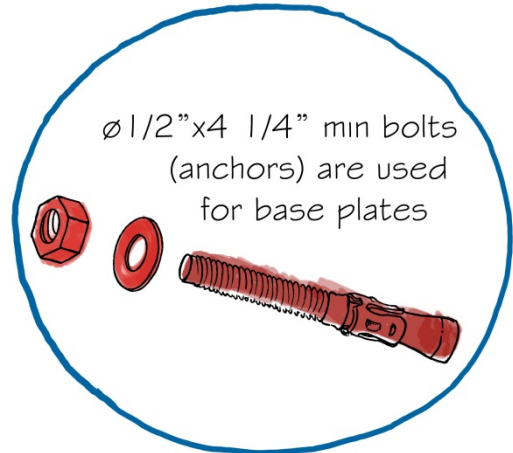
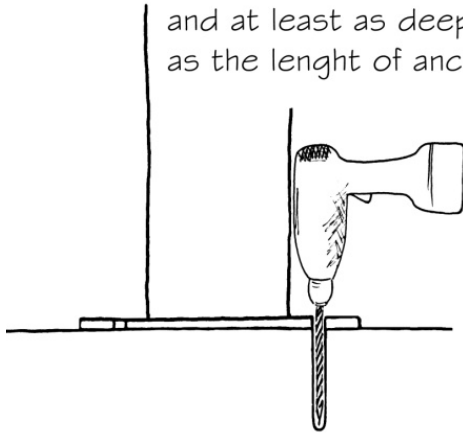
Standard Sizes:

Standard Sizes	CAT #
12"	RP12
18"	RP18
24"	RP24

* Custom sizes are also available.



Hammer drill a hole same nominal diameter and at least as deep as the length of anchors



Drive the hilti bolt in the hole so that at least **6 threads** are below the top surface of fixture. Then tighten to the recommended torque value to achieve proper anchor setting

Clean hole with blow out bulb

