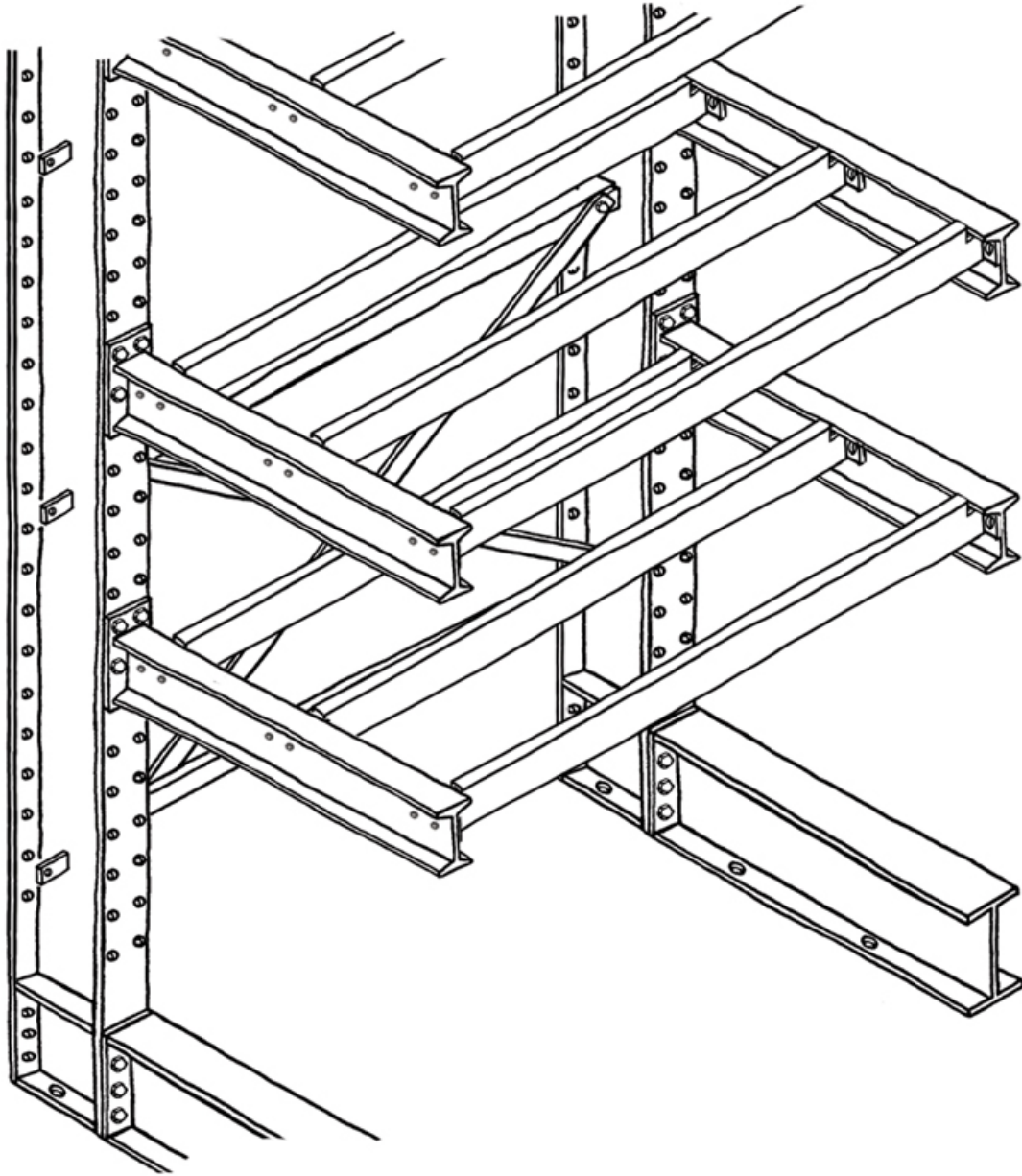


INSTALLATION MANUAL

For the most current release of this manual,
please visit our website at cogan.com

V.2015.1



Product

Racking

Sub-product

Cantilever rack shelf beam support

- Easy to install using only 4 bolts per beam.
- Different shelf style to be installed on top of the beams are available, refer to installation drawings.

Please note that whenever shelf beams are used, the cantilever arm capacities are reduced by 20%.



A Tradition of Quality Since 1901

cogan.com

STEP 1

ASSEMBLY OF SHELF SUPPORT BEAMS

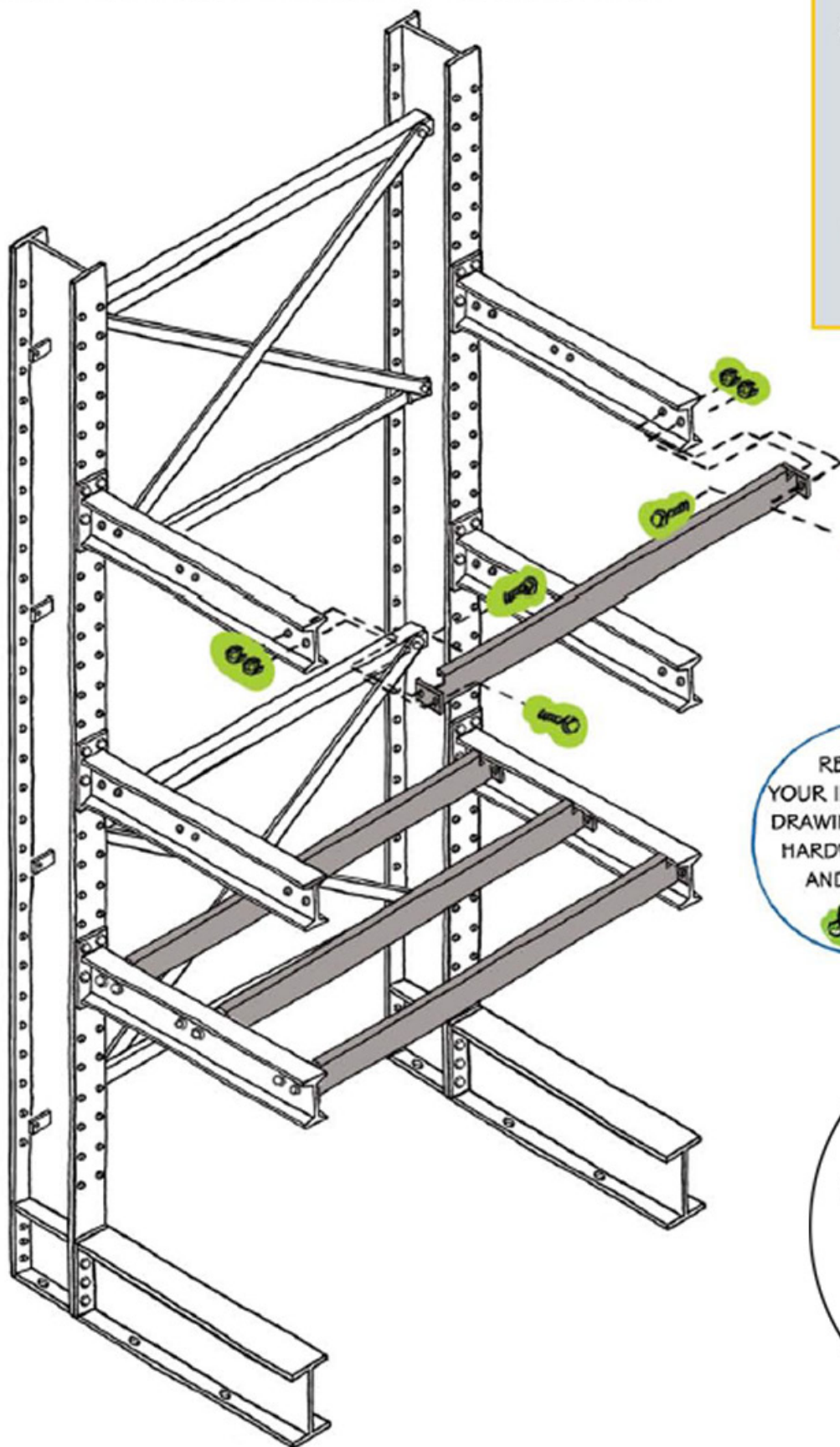
Attach each shelf support beam between both arms by using structural bolts only. Refer to approval plans for the layout and quantity of shelf beam required per arm.

*****BE SURE TO SECURE BOLTS THROUGH ALL REQUIRED HOLES ON THE SHELF SUPPORT BEAM CONNECTION PLATES.*****

USE ASTM A325
STRUCTURAL BOLTS ONLY



SUGGESTED TORQUE FOR REQUIRED
MINIMUM BOLT TENSION:
ø3/4" Bolt : 275Ft.-Lbs
ø5/8" Bolt : 155Ft.-Lbs
ø1/2" Bolt : 79Ft.-Lbs



REFER TO
YOUR INSTALLATION
DRAWINGS FOR ALL
HARDWARE SIZES
AND DETAILS

