



**Cogan**  
Since 1901



**Guardrails**  
A Safe Workplace

cogan.com

## HEAVY - DUTY GUARDRAIL

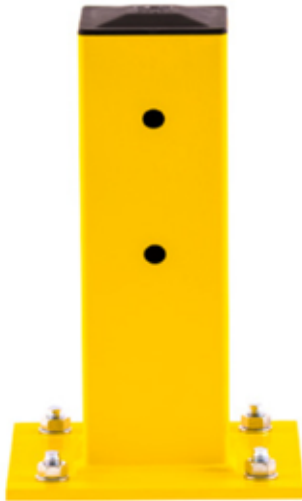
### COLUMNS

#### Description

**Double Rail:** Standard 44"H columns are designed to support two parallel rails. Made from 5" x 5" x 1/8" thick steel welded to a 10" x 10" x 1/2" baseplate. Columns are punched with (4) 3/4"Ø holes on each side and are topped with a blast plastic cap. Baseplates are punched with (4) 3/4"Ø holes for floor anchors. Powder-coated safety yellow paint finish.

**Single Rail:** Standard 18" columns are designed to support one rail. Columns are punched with (2) 3/4"Ø holes on each side.

When properly installed, heavy-duty guardrail is engineered to withstand a 10,000 lb. impact at 4 mph.



18" HIGH COLUMN

## PRODUCT INFORMATION

#### Assembly

Columns are available as two options, either with a centered base plate or an offset base plate. Columns with offset base plates allow it to be placed flush against an adjacent wall. Each option is designed for double or single guardrails. The base plates require 4 - 5/8" x 4 1/2" zinc plated floor anchors.

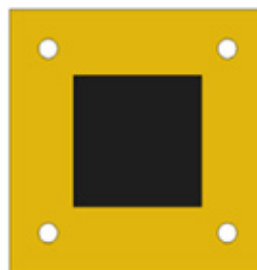
#### Specifications

##### SPECIFICATIONS

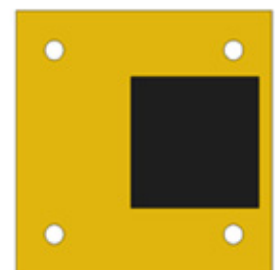
Column Height	18", 44"
Type of Column	Centered or Offset
Size	5" x 5" x 1/8" Thick
Finish	Powder-coated
Weight	18" Column including baseplate- 27 lbs 44" Column including baseplate- 45 lbs
Base Plate	10" x 10" x 1/2" Thick
Requires	5/8"x Ø 4 1/2" Floor Anchors <i>(sold separately)</i>

##### Type of Column

###### Centered Base Plate



###### Offset Base Plate



COLORS POWDER COATED TOUGH

Safety Yellow



**Cogan**  
Since 1901



**Guardrails**  
A Safe Workplace

cogan.com

## HEAVY - DUTY GUARDRAIL

### PRODUCT INFORMATION

#### Delivery Lead Times

This is a Ready Made product available for expedited delivery. Please refer to the guidelines below for estimated lead times when placing your order.

\$0 - \$5,000

For orders with a total dollar value of \$5,000 and under.



**Ready Made**  
IN STOCK. READY TO SHIP.

- Standard sizes in **blue** are kept in stock.
- Allow 1-2 weeks for delivery. See "Sizes" tab for options.
- For all other standard sizes, allow +1 extra week for delivery.



**Custom Made**  
PERFECT FIT. EVERY TIME

- For all custom sizes, allow +1 extra week for delivery.

\$5,000 +

For orders with a total dollar value of \$5,000 and over.



**Ready Made**  
IN STOCK. READY TO SHIP.

+



**Custom Made**  
PERFECT FIT. EVERY TIME

- For all standard and custom sizes, allow 3-4 weeks delivery.



**Cogan**  
Since 1901



**Guardrails**  
A Safe Workplace

cogan.com

# HEAVY - DUTY GUARDRAIL

## SIZES

Please consult the table below for a complete list of dimensions.

ITEM DESCRIPTION	COLUMN HEIGHT	RAIL HEIGHT	ITEM #
Single Rail Column (5" x 5" column + centered 10" x 10" baseplate)	18"	17"	G-GPSC
Single Rail Column (5" x 5" column + offset 10" x 10" baseplate)	18"	17"	G-GPSO
Double Rail Column (5" x 5" column + centered 10" x 10" baseplate)	44"	42"	G-GPDC
Double Rail Column (5" x 5" column + offset 10" x 10" baseplate)	44"	42"	G-GPDO



**Ready Made**  
IN STOCK. READY TO SHIP.

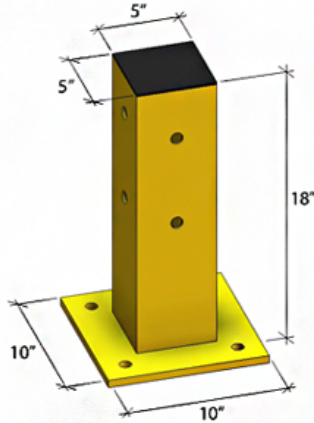


**Custom Made**  
PERFECT FIT. EVERY TIME

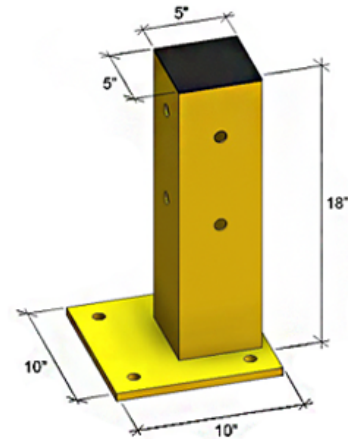
All sizes in blue are kept in stock.  
See "Product Information" tab  
for delivery details.

Custom sizes are also available.

**ITEM # GPSC**  
HEAVY DUTY GUARDRAIL-CENTERED  
SINGLE RAIL COLUMN  
5" X 5" COLUMN & CENTERED 10" X 10"  
BASE PLATE



**ITEM # GPSO**  
HEAVY DUTY GUARDRAIL- OFFSET  
SINGLE RAIL COLUMN  
5" X 5" COLUMN & CENTERED 10" X 10"  
BASE PLATE





**Cogan**  
Since 1901



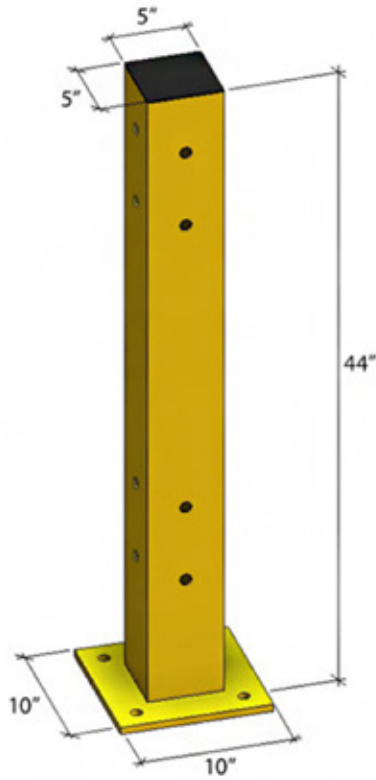
**Guardrails**  
A Safe Workplace

cogan.com

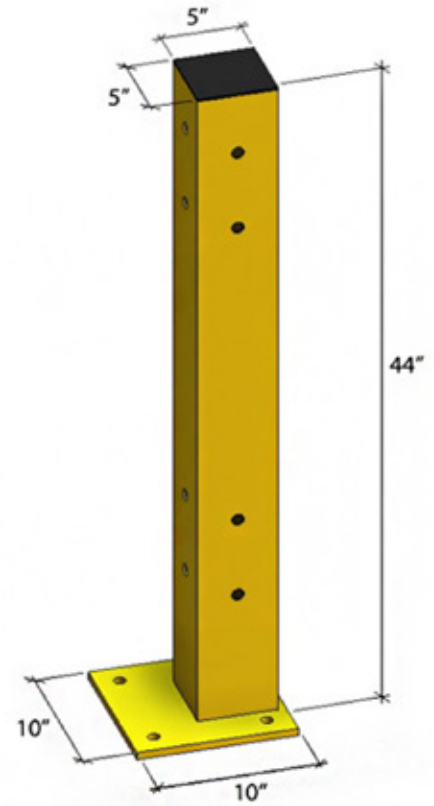
## HEAVY - DUTY GUARDRAIL

### SIZES

**ITEM # GPDC**  
HEAVY DUTY GUARDRAIL-CENTERED  
DOUBLE RAIL COLUMN  
5" X 5" COLUMN & CENTERED 10" X 10"  
BASE PLATE



**ITEM # GPDO**  
HEAVY DUTY GUARDRAIL-OFFSET  
DOUBLE RAIL COLUMN  
5" X 5" COLUMN & CENTERED 10" X 10"  
BASE PLATE





**Cogan**  
Since 1901



**Guardrails**  
A Safe Workplace

cogan.com

# HEAVY - DUTY GUARDRAIL

## DETAILS

### COLUMN SIZES

#### height: 18"

Columns are made of 5" x 5" x 1/8" thick steel tube.

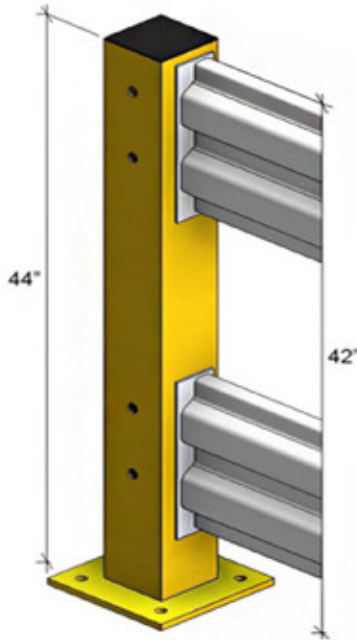
Base plates are made of 10" x 10" x 1/2" thick steel and are punched with four holes for 5/8" Ø x 4 1/2" floor anchors.

#### height: 44"

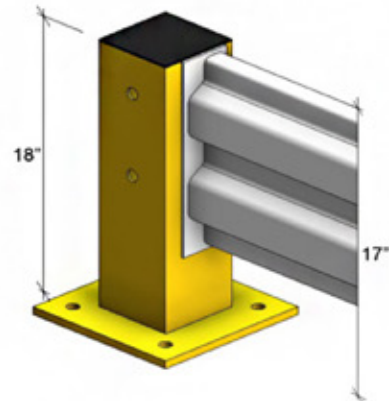
Columns are made of 5" x 5" x 1/8" thick steel tube.

Base plates are made of 10" x 10" x 1/2" thick steel and are punched with four holes for 5/8" Ø x 4 1/2" floor anchors.

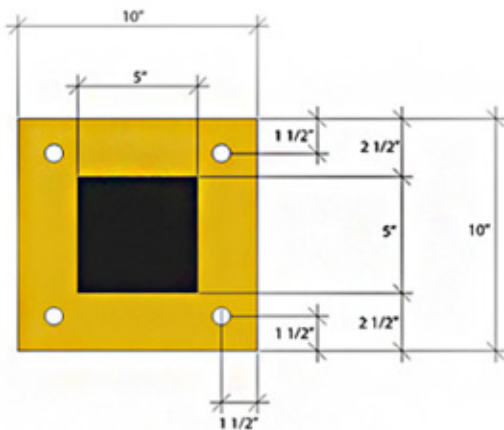
### CENTERED DOUBLE RAIL COLUMN



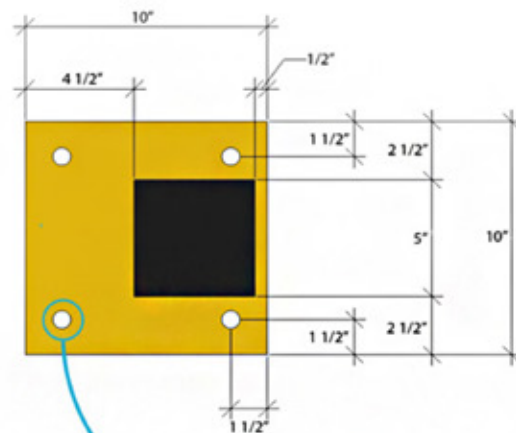
### CENTERED SINGLE RAIL COLUMN



### PLAN VIEW CENTER BASE PLATE



### PLAN VIEW OFFSET BASE PLATE



3/4" diameter  
Requires 4- 5/8" Ø x 4 1/2"  
floor anchors



**Cogan**  
Since 1901

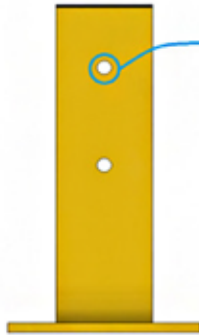


**Guardrails**  
A Safe Workplace

cogan.com

## HEAVY - DUTY GUARDRAIL

### DETAILS



3/4" diameter.  
Requires 5/16" Ø x 1/2" carriage bolt  
with washer and Hex-nut

### HOW TO ORDER

LAYOUT EXAMPLE (PLAN VIEW)

