



## DOUBLE SLIDING GATE

### Description

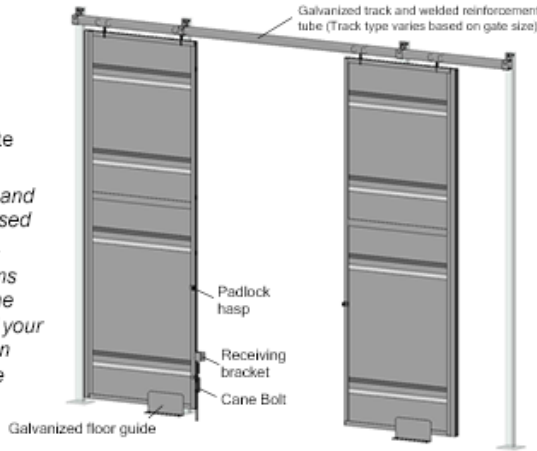
Cogan bi-parting sliding gates are available in a similar range of convenient sizes as our sliding gates. Ideal for use in constricted areas. All bi-parting sliding gates are equipped with a padlock hasp. Additional lock options are also available. Doors are made of heavy-duty 16 GA corrugated steel framed in 1 1/4" x 1 1/4" x 12 GA structural angle.

### EXAMPLE:

Typical 6'W x 8'H bi-parting sliding gate shown here.

Panel configuration and quantity will vary based on gate dimensions.

Assembly instructions are specific to the size and material of your gate. See Installation Manual for complete



## PRODUCT INFORMATION

### Specifications

Door Heights	8' and 10'
Type of Door	Bi-Parting Sliding Gate
Door Stop	Attached to the right door.
Finish	Powder-coated
Materials	16GA Corrugated Sheet Metal
Frame Material	Structural Angle 1 1/4" x 1 1/4" x 12GA
Type of Closure	Padlock Hasp (Optional locks available)
Stiffening profile	None

### ORIENTATION OF GATE OPENING

Opening at Center



COLORS



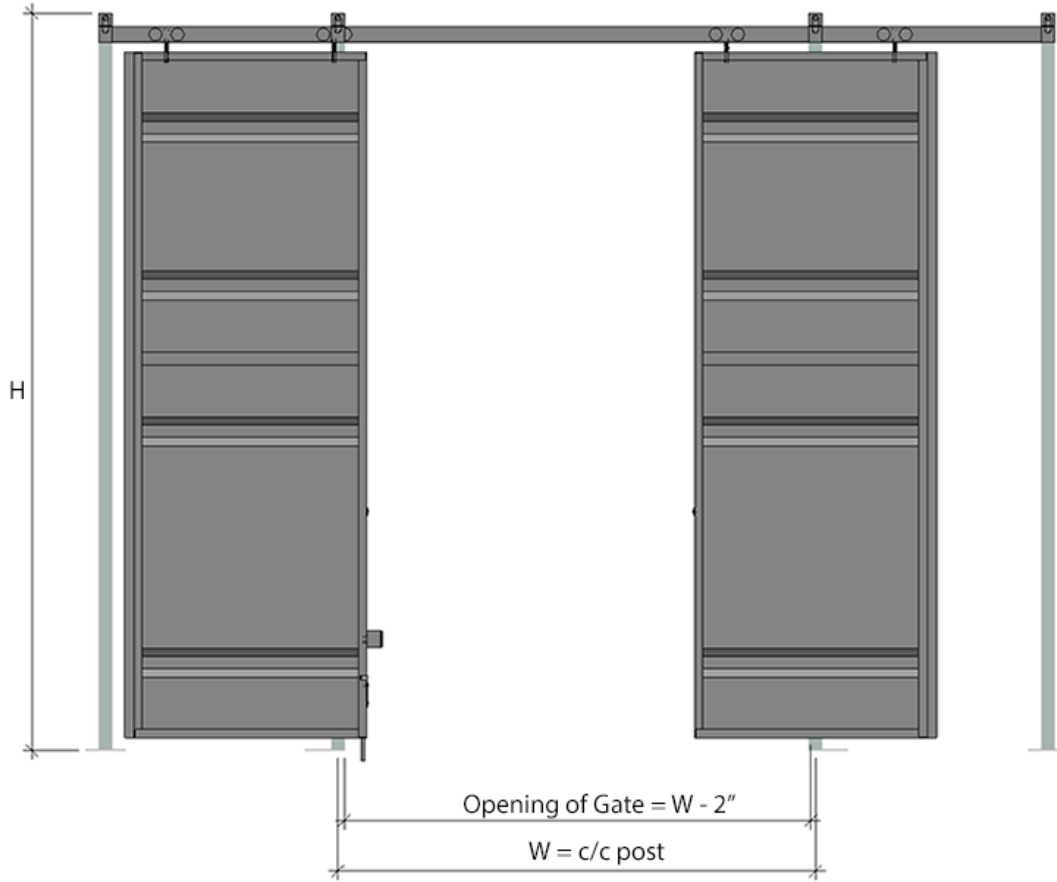
Cogan Grey

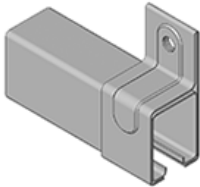
Premium Colors



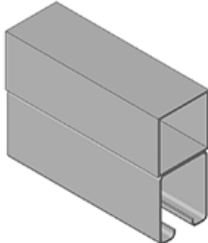
**SIZES**

Please consult the table below for a complete list of dimensions.





**Track #1:**  
Galvanized track and hangers.



**Track #2:**  
Galvanized track welded to 2" x 2" reinforcement tube.

H \ W	6'-0"	8'-0"
8'-0"	✓	✓
10'-0"	✓	✓

✓ Indicates gate dimension is available.  
 — Indicates gate dimension is **not** available.



## LOCK OPTIONS

Below are the standard lock options for our partition security gates. Choose between a latch and key, or keys on both sides for added security.

