

WITHOUT ROOF

FREESTANDING - NO ROOF

Description

This sheet metal tenant storage locker features 7' or 8' high posts. All panels and doors are made of 16GA corrugated sheet metal framed in 1 1/4" x 1 1/4" x 12GA structural angle. Heavy-duty 1 1/8"x1 1/8"x12GA structural steel transom angle runs across the top of each unit, creating a superior reinforced frame.

* Padlock hasps and door stoppers come standard with all single tier tenant storage lockers.

PRODUCT INFORMATION

Specifications

Post Height 7' to 8'

Material Hollow Structural Tubing

Finish Powder-coated

COLORS

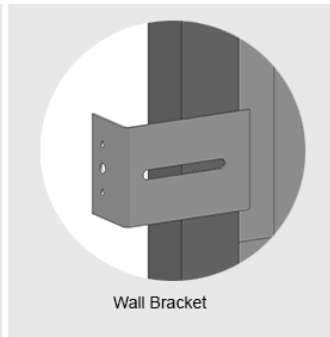
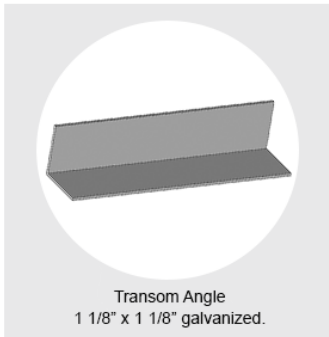
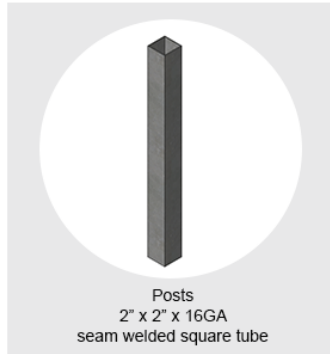


Cogan Grey



SIZES

Please consult the table below for a complete list of dimensions.



STANDARD POST

Description	
Post	7' & 8'
Length of Sheet Metal	3', 4' & 5' C/C

